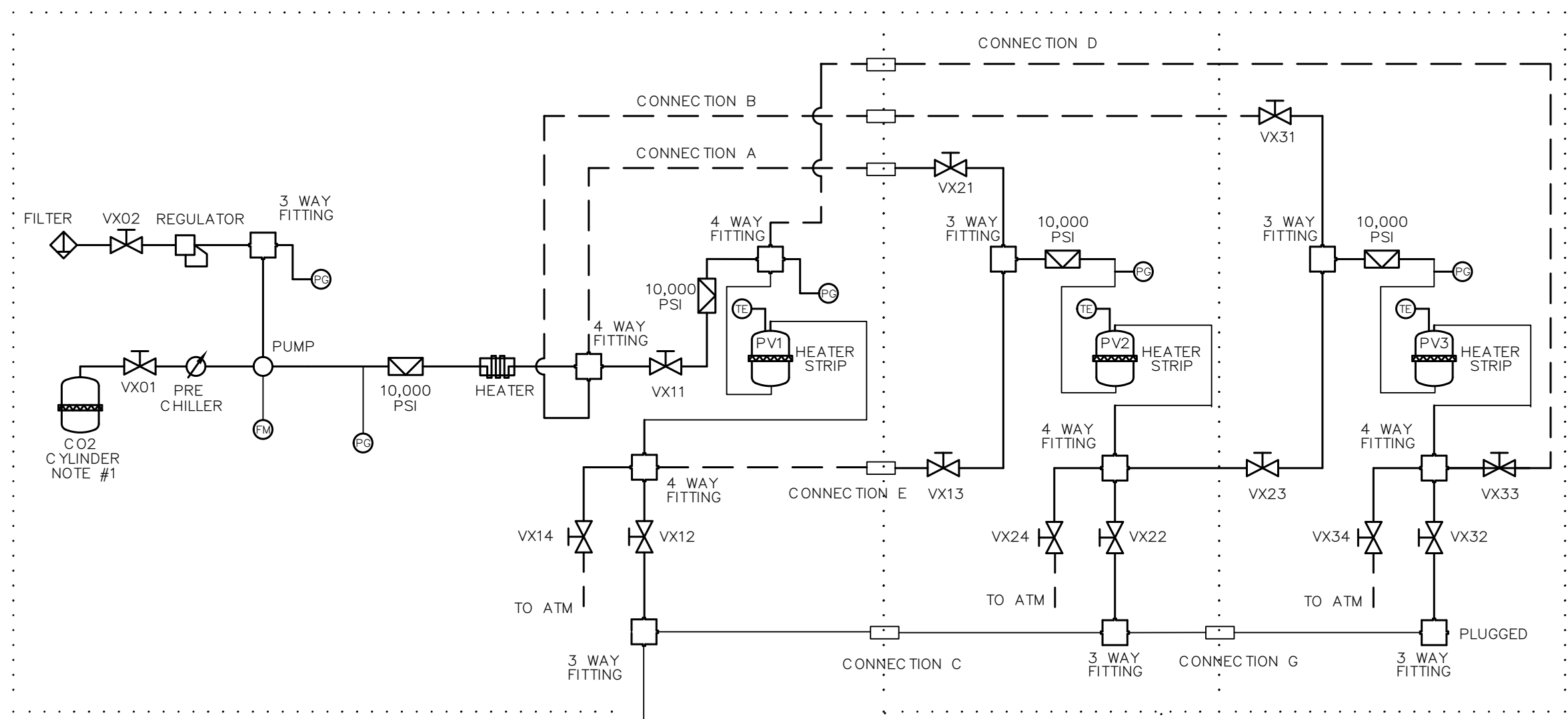


8 7 6 5 4 3 2 1

VESSEL 1
BASE UNIT

VESSEL 2
ADD-ON MODULE

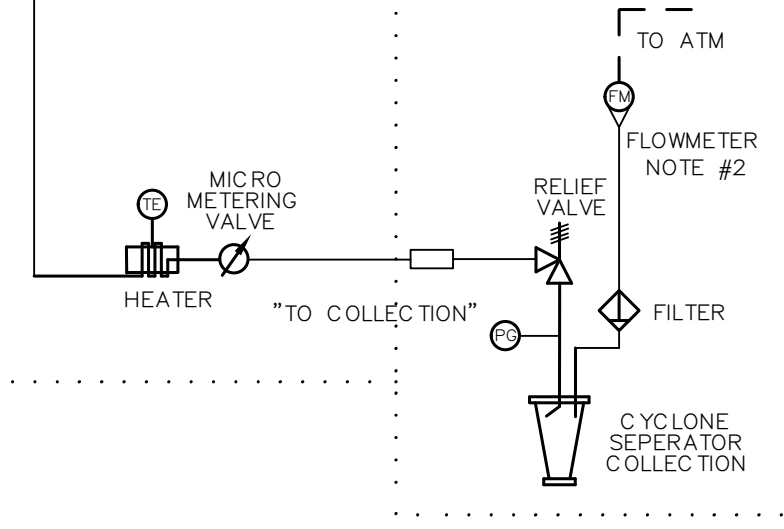
VESSEL 3
ADD-ON MODULE



NOTES:
1. BAND HEATER IS OPTIONAL & HIGHLY RECOMMENDED.
2. FLOW METER IS OPTIONAL.


REVISION	DATE	DESCRIPTION
2	11/16/18	INITIAL RELEASE AFTER REDESIGN
3	03/05/19	RECONFIGURED COLLECTION

COLLECTION



PROPRIETARY AND CONFIDENTIAL
THE INFORMATION CONTAINED IN THIS
DRAWING IS THE SOLE PROPERTY OF
SUPERCritical FLUID TECHNOLOGIES INC.
ANY REPRODUCTION IN PART OR AS A
WHOLE WITHOUT THE WRITTEN PERMISSION
OF SUPERCritical FLUID TECHNOLOGIES
INC. IS PROHIBITED.

NAME	DAB	DATE	11/16/18
DRAWN			
CHECKED			
ENG APPR.			
MFG APPR.			
QA			
COMMENTS:			


SUPERCritical FLUID TECHNOLOGIES
WWW.SUPERCriticalFLUIDS.COM
 TITLE: DPE P&ID
 SIZE DWG./PRT. NO. B PID013 REV 3
 SCALE: 1:1 WEIGHT: SHEET 1 OF 1

8 7 6 5 4 3 2 1