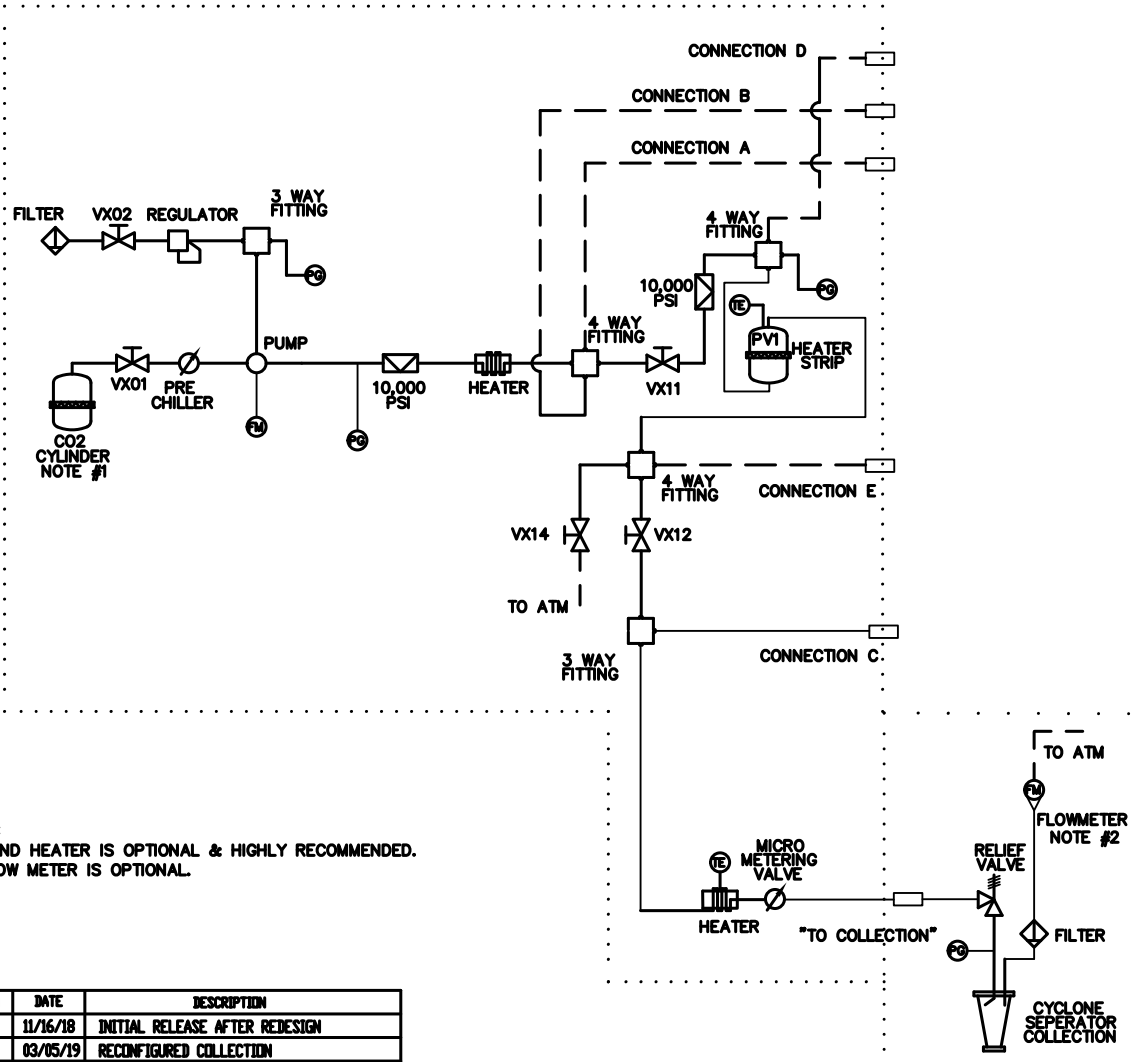


VESSEL 1 BASE UNIT



- NOTES:
 1. BAND HEATER IS OPTIONAL & HIGHLY RECOMMENDED.
 2. FLOW METER IS OPTIONAL.

REVISION	DATE	DESCRIPTION
2	11/16/18	INITIAL RELEASE AFTER REDESIGN
3	03/05/19	RECONFIGURED COLLECTION

COLLECTION

PROPRIETARY AND CONFIDENTIAL
 THE INFORMATION CONTAINED IN THIS DRAWING IS THE SOLE PROPERTY OF SUPERCritical FLUID TECHNOLOGIES INC. ANY REPRODUCTION IN PART OR AS A WHOLE WITHOUT THE WRITTEN PERMISSION OF SUPERCritical FLUID TECHNOLOGIES INC. IS PROHIBITED.

	NAME	DATE
DRAWN	DAB	11/16/18
CHECKED		
ENG APPR.		
WFS APPR.		
QA		

SUPERCritical FLUID TECHNOLOGIES
WWW.SUPERCriticalFLUIDS.COM

TITLE: DPE P&ID	
SIZE DWG./PRT. NO.	REV
B PID013	3
SCALE: 1:1	WEIGHT:
SHEET 1 OF 1	