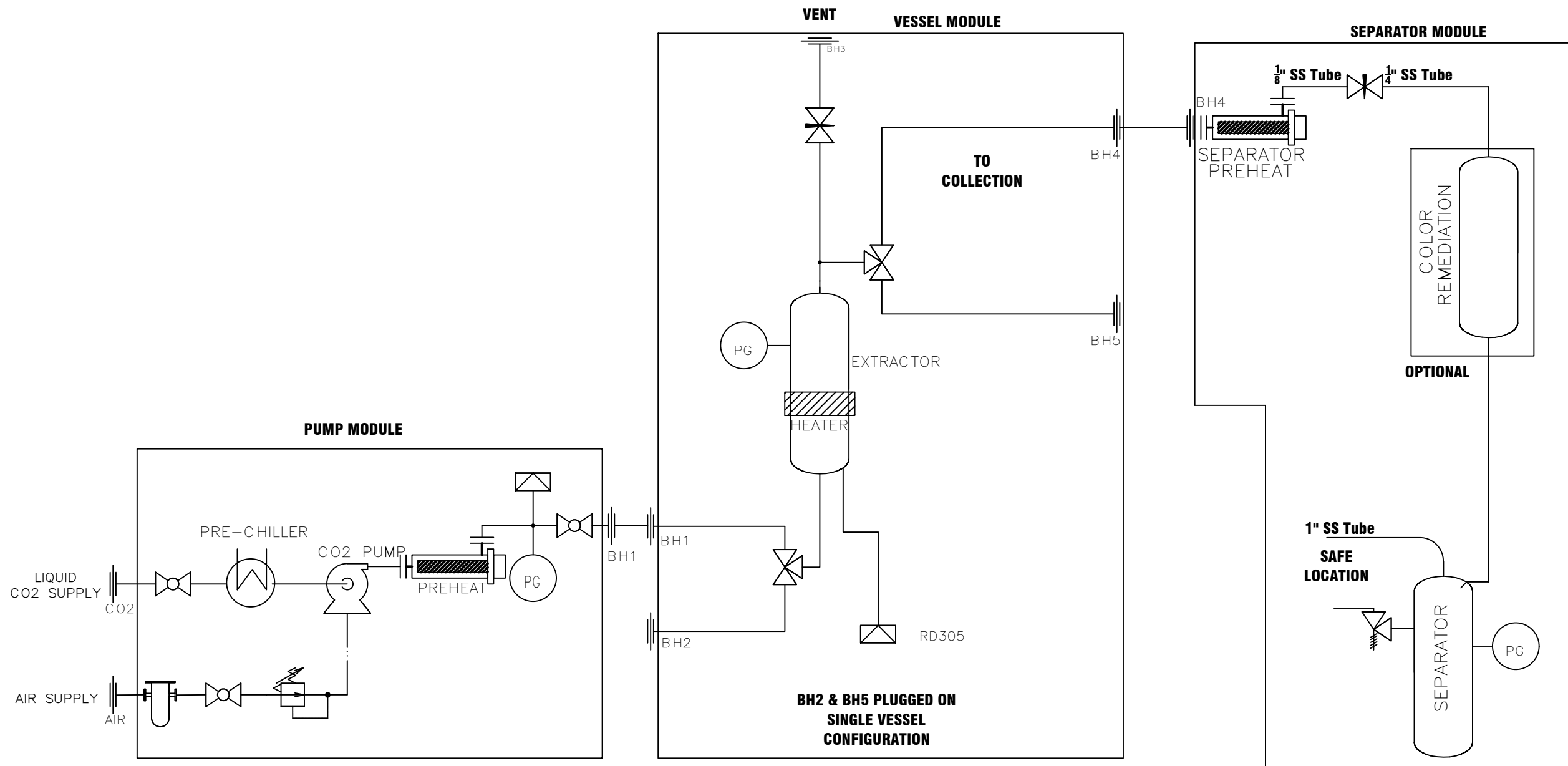


SFT-SP1100
Single Vessel
Configuration



**BH2 & BH5 PLUGGED ON
SINGLE VESSEL
CONFIGURATION**



**SUPERCritical FLUID
TECHNOLOGIES, INC.**
Newark, DE 19711
302-738-3420 Fax 302-738-4320

TOLERANCES (EXCEPT AS NOTED)	CLIENT SFT			
DECIMAL 3 PL. ± .005 2 PL. ± .01	INSTRUMENT SFT-SP1100			
FRACTIONAL ± 1/64	TITLE P&ID			
ENGINEER	DRAWN BY WWT	CHECKED BY	REV A	