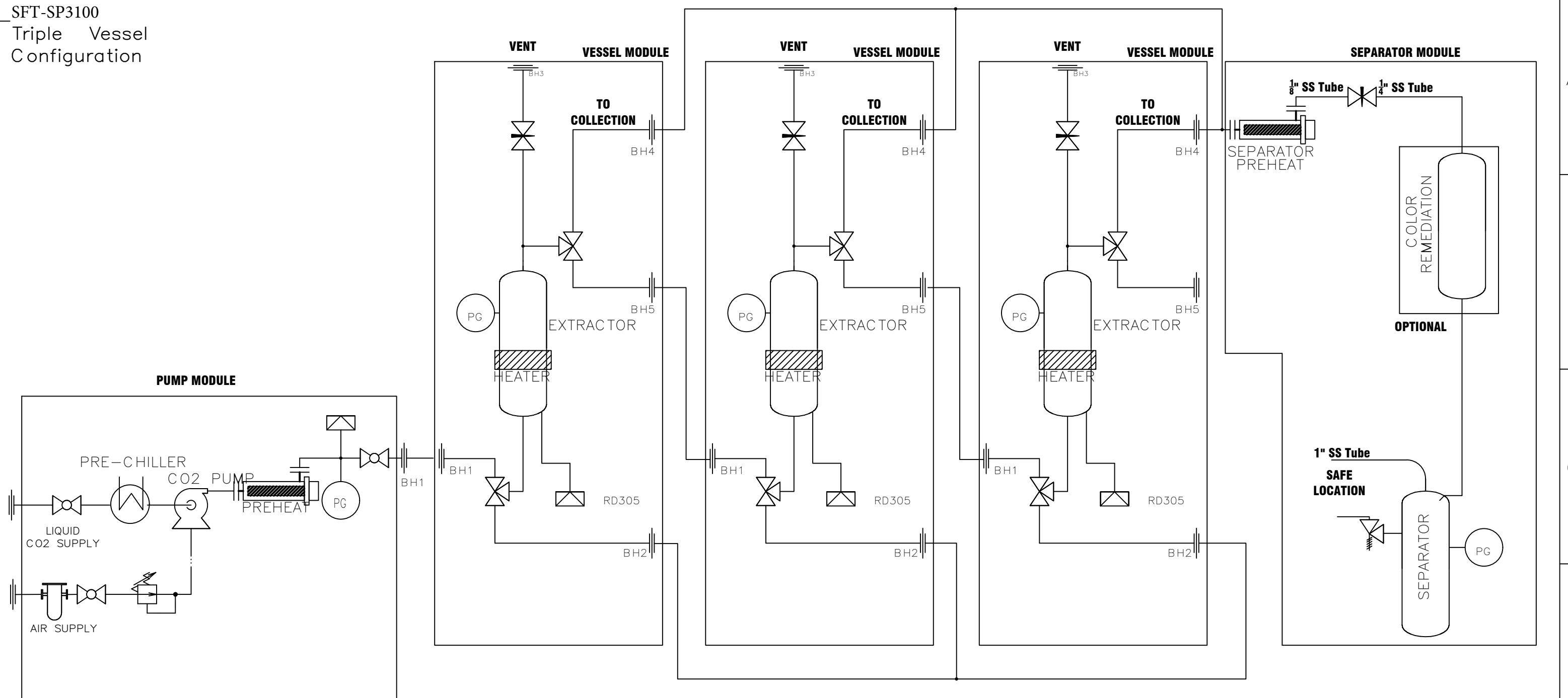
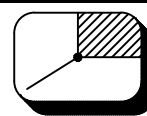


SFT-SP3100
Triple Vessel
Configuration



 SUPERCritical FLUID TECHNOLOGIES, INC. Newark, DE 19711 302-738-3420 Fax 302-738-4320				
DECIMAL 3 PL. ± .005 2 PL. ± .01	INSTRUMENT SFT-SP3100			
FRACTIONAL ± 1/64	TITLE P&ID			
ENGINEER	DRAWN BY WWT	CHECKED BY	REV A	